



V-ECO100

NEWS
2015



78%
HEATING
RECOVERY

**FAN WITH DOUBLE
FLOW HEATING
RECOVERY UNIT**

LA VENTILAZIONE[®]

The trade mark of the grilles with declared and certified passage of the air according to the rule ISO 5219

THE PROBLEM



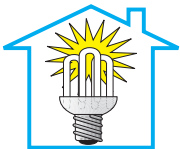
Continuous
fresh air



No more
mildews on
walls



Easy to install



Minimum
consumption
(3 Watt)



High
energetic
recovery
(78%)



Silent
(only 20 dBA)



Minimum
aesthetic
impact

Humidity caused by condensation usually makes unaesthetic, noxious and smelly mildews on the walls. That happens in all the buildings where the lack of ventilation and the presence of heat bridges let humidity to condensate.

It also happens in new the buildings, they are very well insulated to get high energetic class, but they are usually not ventilated in the right way.

We can say that condensation on walls is caused by:

- not enough fresh air;
- not enough insulation on the walls;
- too much humidity



THE SOLUTION

V-ECO100 allows stable and healthy ventilation, with high energetic efficiency, thus avoiding any humidity, mildews and bad smells.

Thanks to V-ECO100 you could have the best conditions both in winter and in summer, without any temperature leaps caused by wrong ventilation.

V-ECO100, thanks to the high percentage of heating recovery (78%) and to the low consumption (only 3 W), saves your money and it is environmentally friendly.

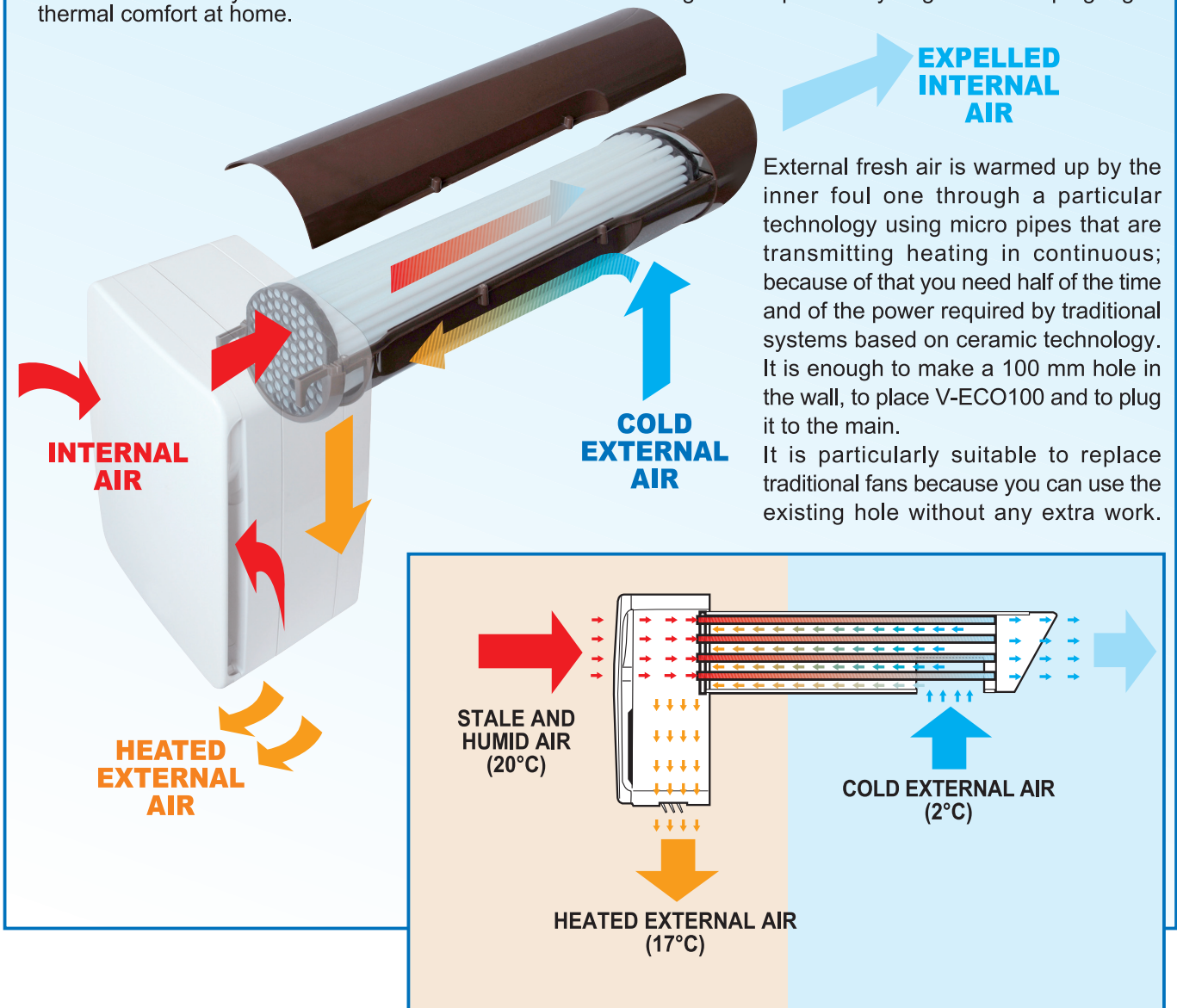
V-ECO100 helps you to get the Energetic Class you need.



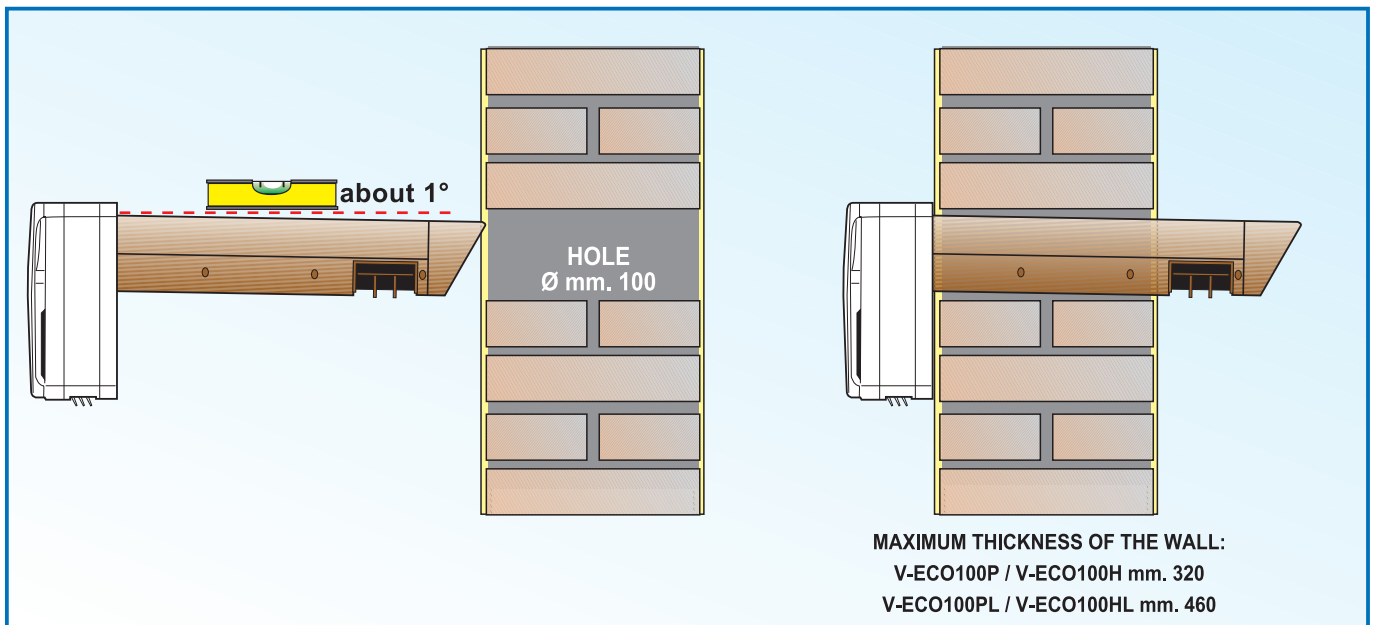
IT HELPS TO GET ENERGETIC CLASS

HOW IT WORKS.

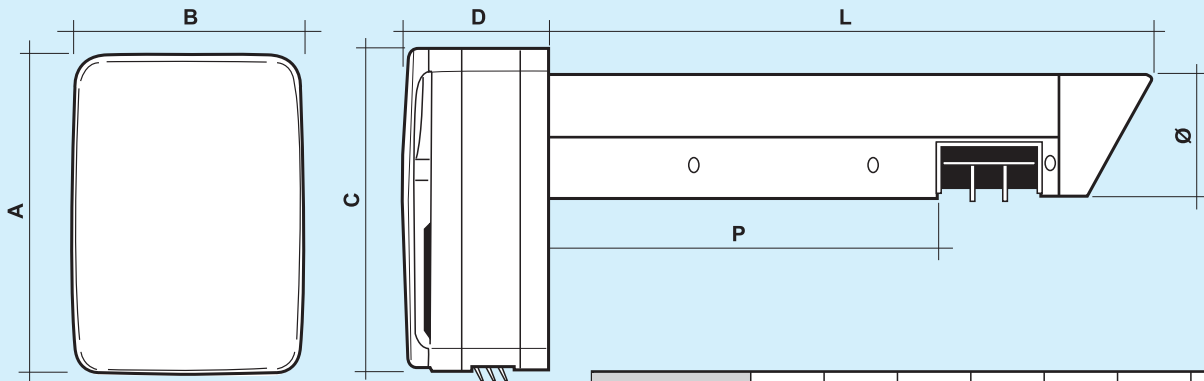
V-ECO100 is a fan with simultaneous double flow heating recovery unit, it is particularly suitable for private single room applications. V-ECO100 allows you to ventilate the room without decreasing the temperature you got thus keeping high thermal comfort at home.



INSTALLATION




DIMENSIONS in mm.



	A	B	C	D	L	P	Ø
V-ECO100P V-ECO100H	266	190	262	117	496	321	99
V-ECO100PL V-ECO100HL	266	190	262	117	636	461	99

04-2015

TECHNICAL FEATURES

		EXTRACTION PERFORMANCE			POWER			NOISE at 3 m			PIECES p / box
		Low speed	High speed	Boost speed	Low speed	High speed	Boost speed	Low speed	High speed	Boost speed	
V-ECO100P	with cord for walls of maximum mm. 320	22 m ³ /h	32 m ³ /h	54 m ³ /h	3,2 Watt	5,7 Watt	26,6 Watt	20 dBA	22 dBA	36 dBA	1
V-ECO100H	with hygrometer, timer and cord for walls of maximum mm. 320										
V-ECO100PL	with cord for walls of maximum mm. 460										
V-ECO100HL	with hygrometer, timer and cord for walls of maximum mm. 460										



IPX4



EDIL PLAST S.r.l.
47122 Forlì (FC) - ITALY
Via Mastro Giorgio, 2 - z. i. Villa Selva
Tel. +39 0543 754811 - Fax +39 0543 473534
Email: edilplast@firstcor.com

